

General Description

SY6119 is a single-channel USB charging protocol port controller IC which supports automatic identification of chargers (including iPhone, Samsung and other mobile phones) and handshaking with devices through the corresponding USB charging protocol, for achieving maximum charging current and saving charging time on the premise of protecting chargers.

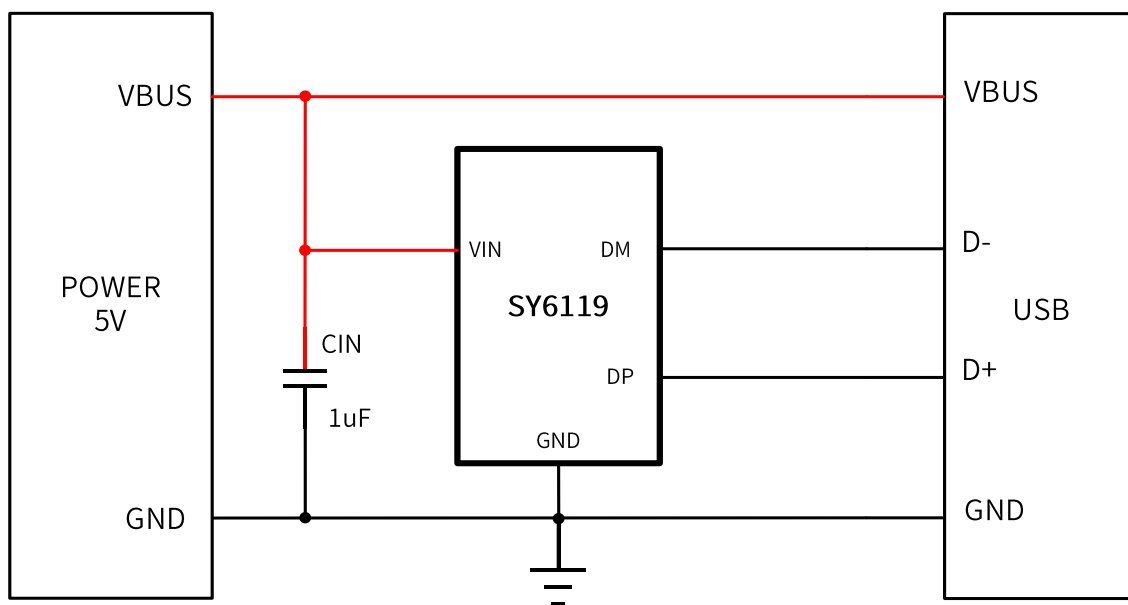
Applications

Power bank, portable chargers, wall chargers, car chargers, etc.

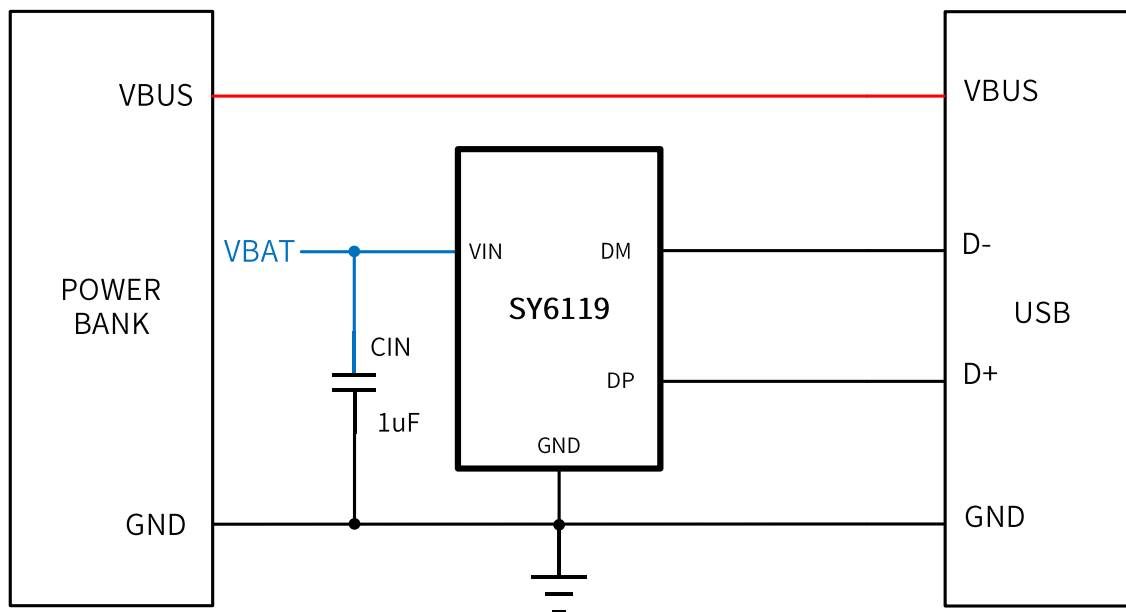
Features

- ◆ Wide input range of 3V-5.5 V for direct use in lithium battery system
- ◆ Automatic switching between multiple USB charging protocols:
 - Divider3 charging protocol for Apple devices
 - Applications of Samsung devices
 - BC1.2 DCP and YD/T 1591-2009
- ◆ Super protection capability of DP/DM 8kV ESD (HBM)
- ◆ Ultra-low standby current
 - 5uA/VIN=2.8V
 - 80uA/VIN=5.5V
- ◆ Small-size SOT23-6 package

Typical Application Circuit



Typical Application Circuit 1 of SY6119 (Wall Chargers, Car Chargers, etc.)



Typical Application Circuit 2 of SY6119 (Lithium Battery System such as Power Bank)