

General Description

SY9602 is a current-limiting IC integrating multiple protocols, with adjustable output limited current, PMOS switch with maximum limited current of 3A, D+/D supporting BC1.2 protocol, which provides automatic identification of mobile phones such as iPhone and Samsung, and ensures maximum charging power. SY9602 is available in a ESOP8 or DFN10 package.

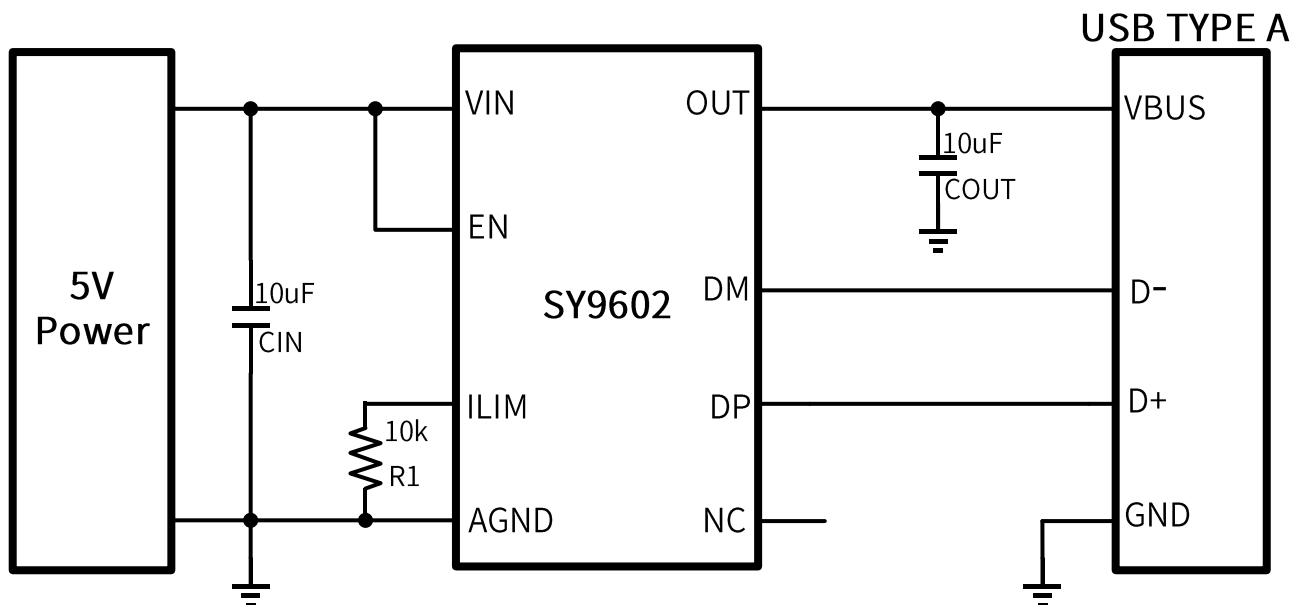
Applications

- ◆ Wall charger adapters
- ◆ Car charger adapters
- ◆ Power bank
- ◆ USB charge/discharge ports
- ◆ Other USB chargers

Features

- ◆ Integrated PMOS switch with ultra-low impedance and 30mΩ conductor resistance, reverse output protection
- ◆ Linearly adjustable maximum output current via external resistor
- ◆ Ultra-low standby current: 80uA
- ◆ Automatic switching between multiple USB charging protocols
- ◆ Supports BC1.2 DCP and YD/T 1591-2009
- ◆ Supports Divider 3 charging protocol, supports Apple devices
- ◆ Applications for Samsung devices

Typical Application Circuit



Typical Application Circuit of SY9602 (Current-limiting, 3A)